



FLEXIVA™ FMXI 4G

Embedded HD Radio™ Exporter/Importer

Offering the simplest and most cost-effective transition to HD Radio, the new GatesAir Flexiva FMXi 4g combines Exporter and Importer functions into a single embedded device that provides dynamic time, level, and phase correction.



Flexiva FMXi 4g Product Features

The FMXi 4g employs integrated HD Radio Diversity Delay control software that ensures proper time alignment between your analog and digital signals, and improves the listener experience by removing objectionable blending artifacts. This embedded solution eliminates boot-up processes, problematic operating system upgrades, and troublesome PC-based applications. Broadcasters no longer require a standalone, computer-based Exporter or Importer, which also simplifies the architecture and streamlines timing synchronization.

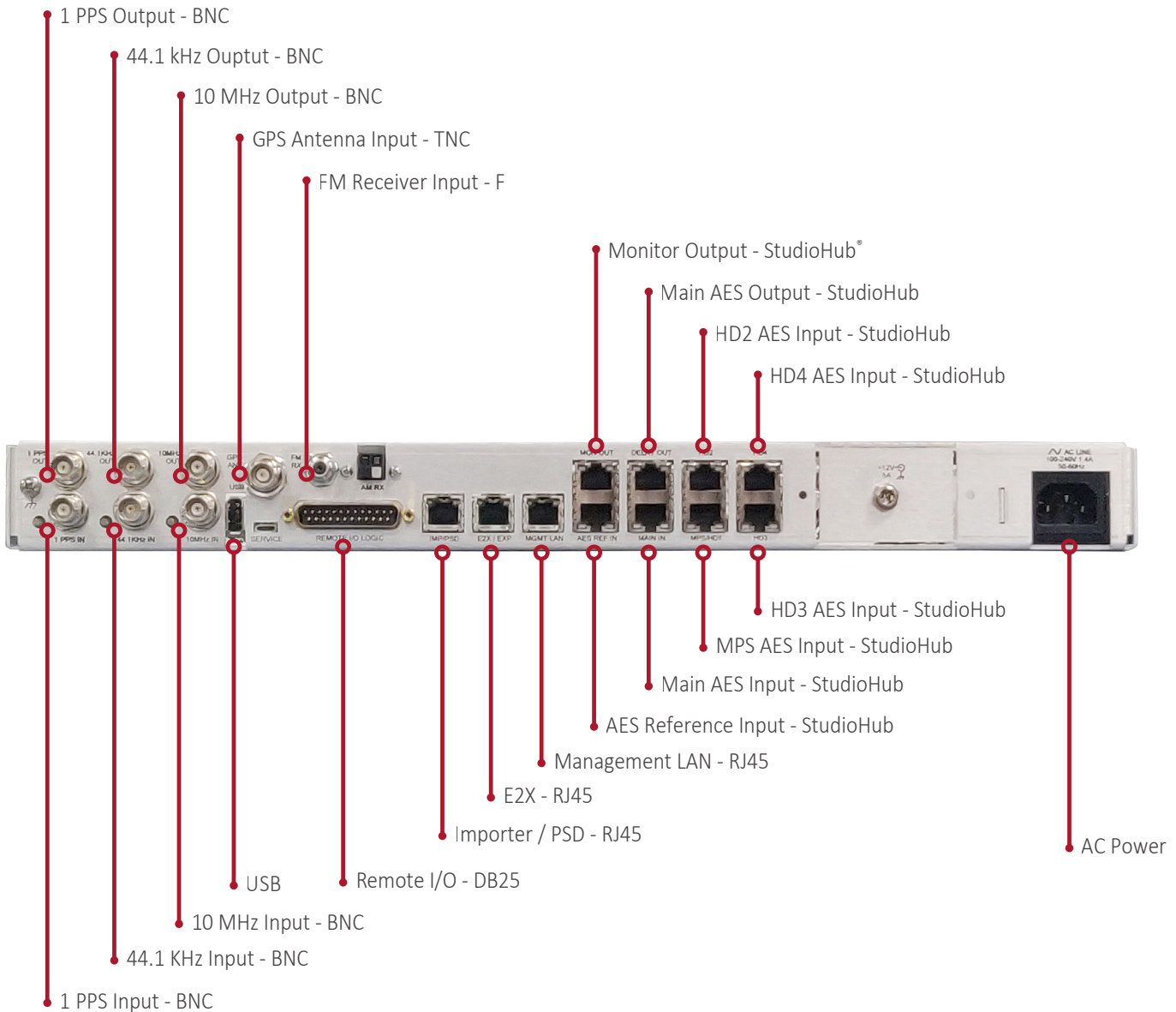
The FMXi 4g accepts, manages, and multiplexes all HD Radio Advanced Applications Services (AAS). This includes supplemental audio channels (e.g. HD2, HD3) into the HD Radio data stream that are combined into the main program services and sent to the exciter. The FMXi 4g can provide new revenue with additional data services and multiple audio programs.

With the proliferation of multicasting and datacasting on HD Radio, the FMXi 4g makes it easy to add HD2, HD3 and even HD4 broadcast, as well as HD Radio PAD (program-associated data), album art, station logos news, traffic, weather and other text and graphical content to the HD Radio broadcasts.

The FMXi 4g's Web-based user interface provides convenient control of the HD Radio modes and bandwidth configurations. The Xperi HD codec and encoding algorithms of the HD Radio system are built-in, enabling connection to an Engine exciter for advanced services.

- Fourth-generation Exporter/Importer in a single box solution
- Embedded solution for maximum reliability
- No costly and unreliable consumer operating system to update or configure
- Automatically resolves Analog / HD Diversity Delay without user intervention
- Resolves audio level and phase correction without user intervention
- Off-air monitoring of HD primary and secondary audio program channels
- Supports Artist Experience
- HD logging and alarms capabilities
- Configurable MPS, SPS, and data bitstream
- Full support of SFN
- Web Browser for local user and remote access
- Space-efficient 1 RU chassis
- Available in three configurations FMXI4G: Full Importer and Exporter
FMX4G: Exporter Only FMI4G: Importer Only

Flexiva FMXi 4g Rear Panel



Flexiva FMXi 4g Options (Sold Separately)

GPS Antenna Kit

- FMXI4GGPSANTKIT
- Kit includes:
 - GPS Antenna
 - 50ft GPS Cable
 - 3ft Antenna Mast
 - Antenna Pipe Adapter

Audio Cables

- FMXI4GXLRF (Inputs)
 - XLR F to RJ45 Adapter Cable
- FMXI4GXLRM (Outputs)
 - XLR M to RJ45 Adapter Cable

OPTIONAL DC Power Supply

- 7360461000